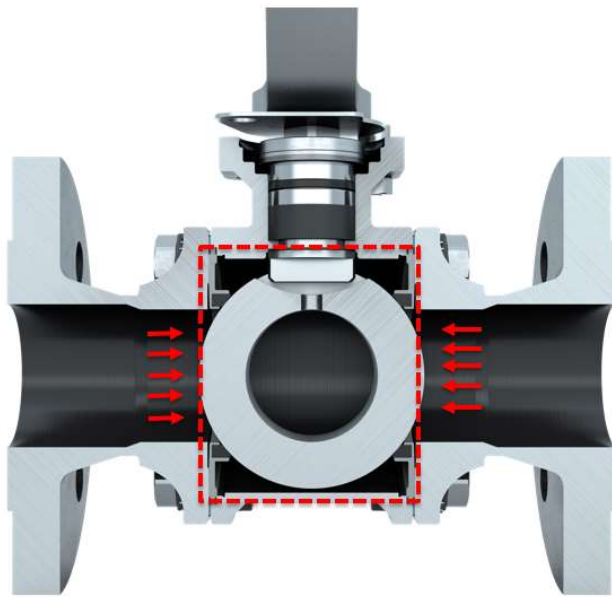


KHA NEW GENERATION: DYNAMIC SEALING CHAMBER



The automatic sealing chamber of the Ballostar KHA ball valve utilizes spring loads in two sealing elements for the function of the valve. The result is an sealing chamber in which the loads of the sealing elements simultaneously **work bidirectionally**. Primarily this concerns safety lines in plants, especially those with alternating flow directions.